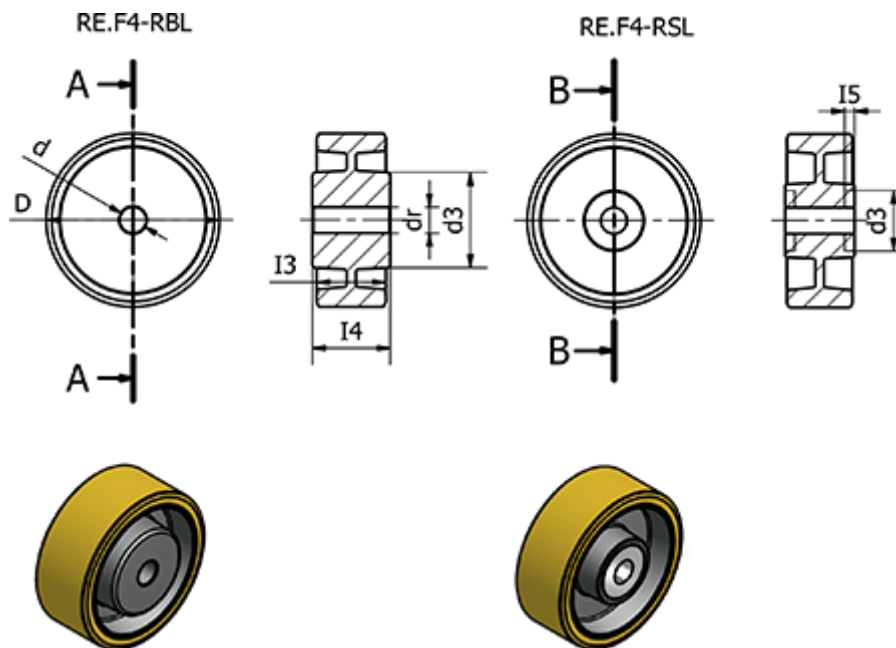


Article number: 2314451410

Description: E+G Cast iron wheel 451410  
RE.F4-150x80-RSL - loose wheel with ball bearings

## Measures



Code	= 451410	Max static load (N)	= 17000
d	= 150	Rolling resistance (N)	= 4000
d3	= 62	Type	= RE.F4-150x80-RSL
dr	= -	Weight (g)	= 5690
Dynamic carrying capacity (N)	= 10000		
I3	= 80		
I4	= 88		
I5	= 18		